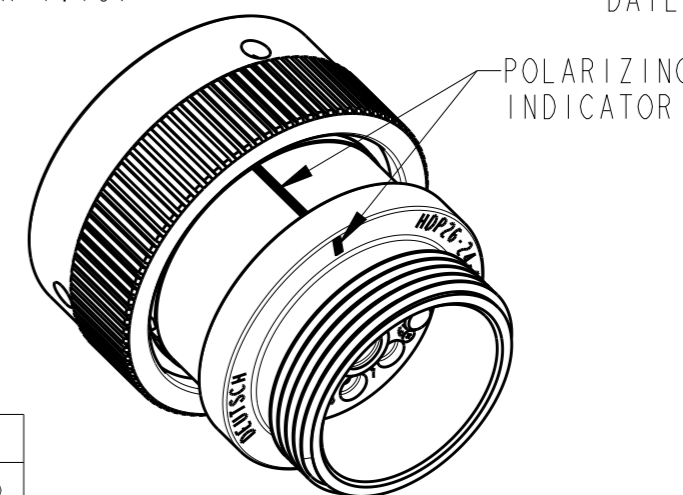
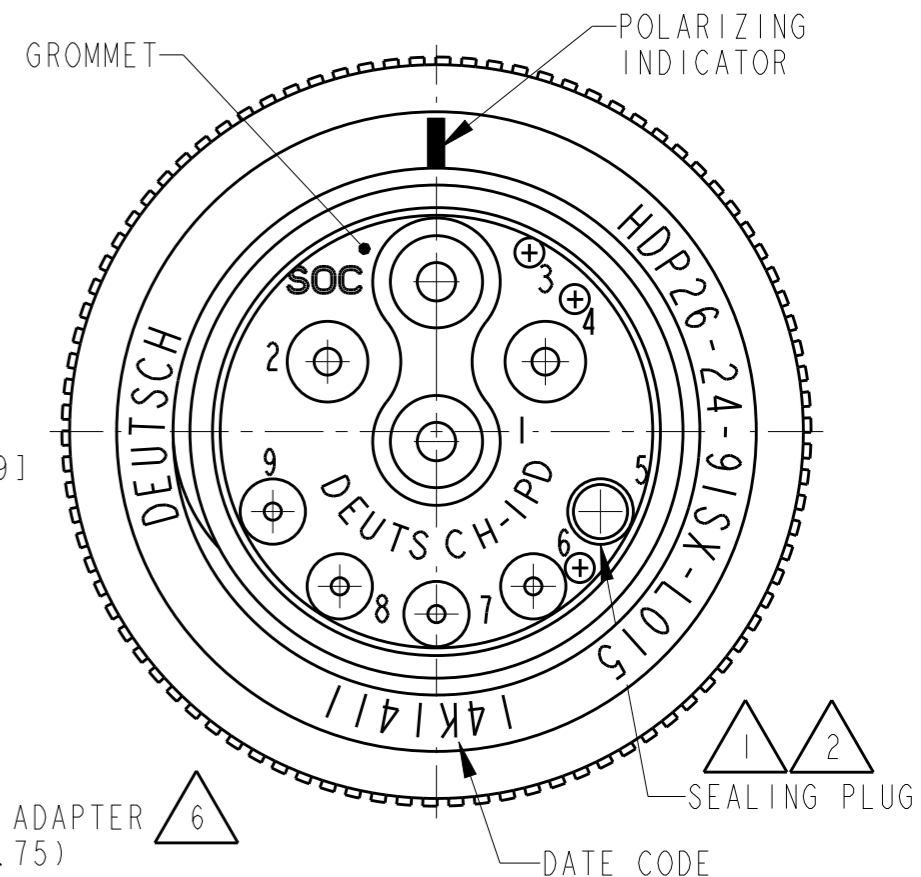
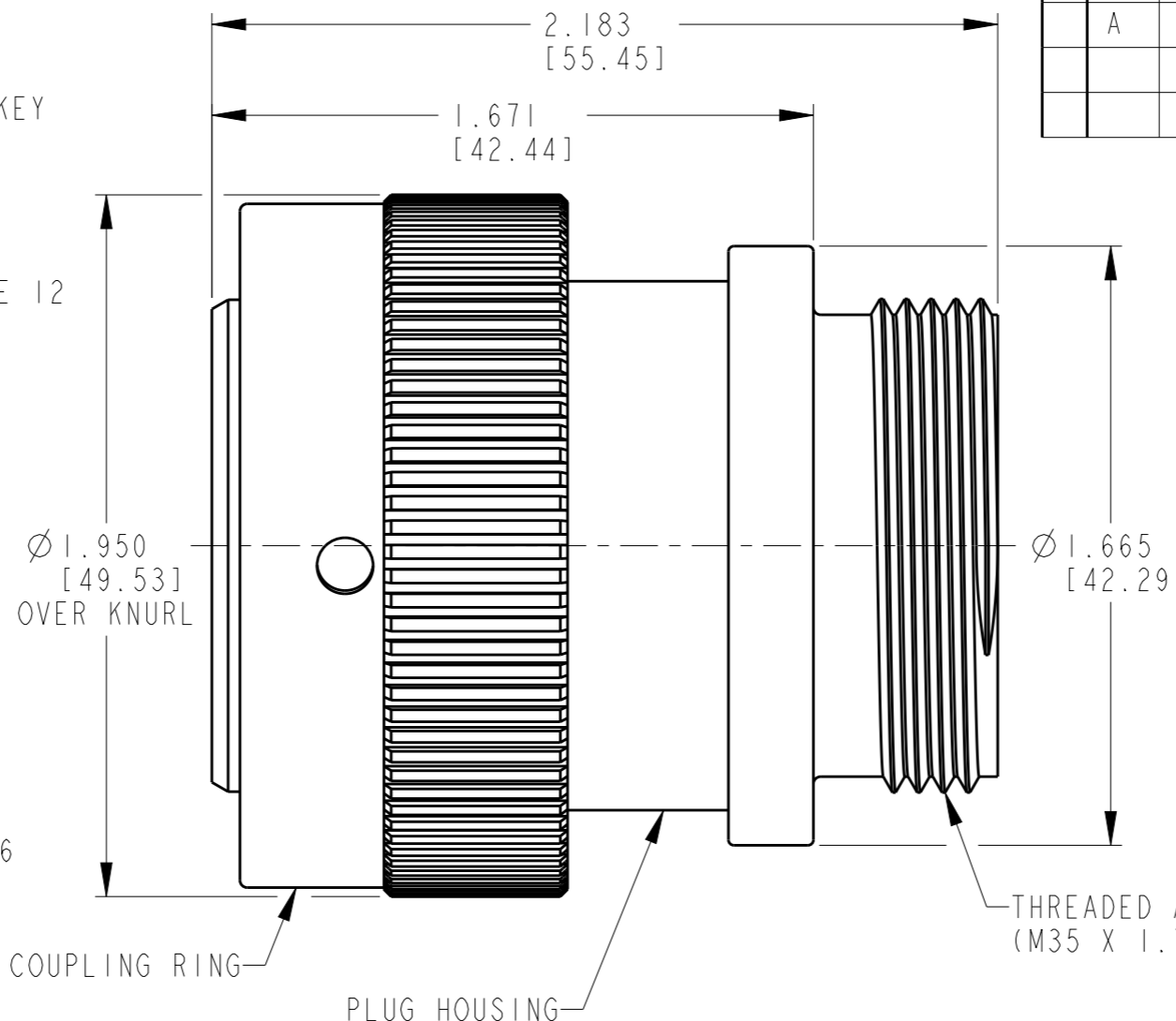
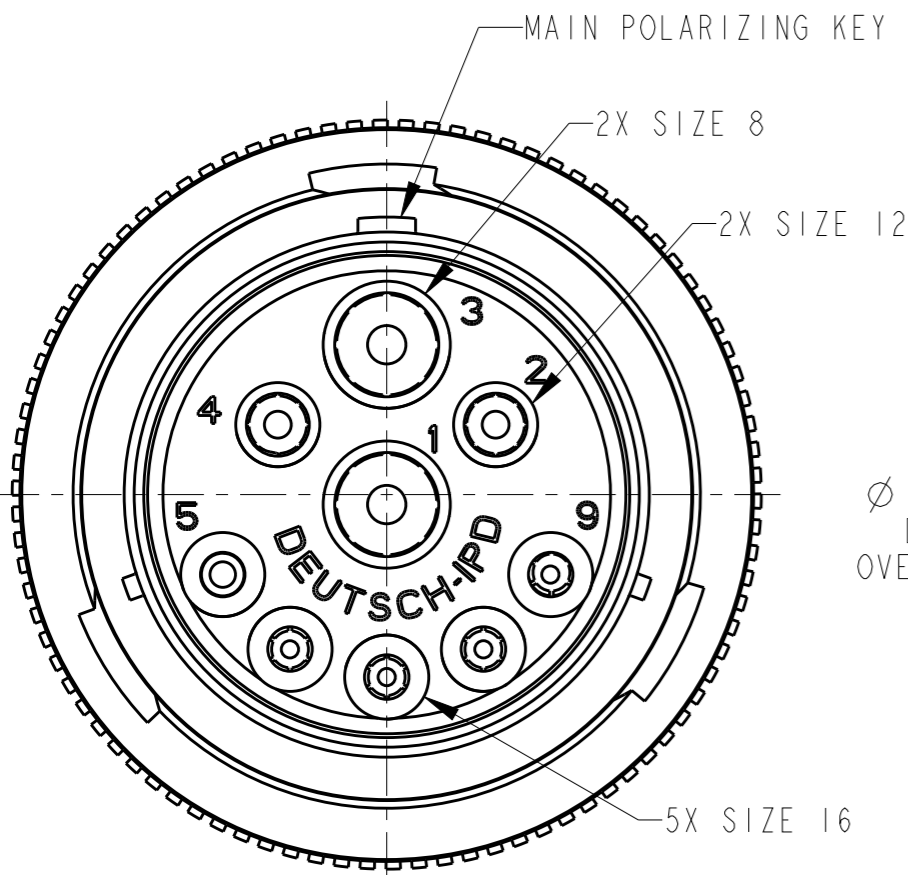


P	LTR	DESCRIPTION	DATE	DWN	APVD
	NC	NEW RELEASE PER E.O. P21362	29MAY2012	AM	RDR
	A	REVISED PER ECO-14-019072	23FEB2015	JA	DM



SCALE 1:1

- 7. PART MODIFICATION: THREADED ADAPTER
- △6 CONDUIT ADAPTER ACCEPTS EITHER TYPES:
 A. CONDUIT ADAPTER CAP NUT (CN21) AND SEAL RING (SRN21)
 B. BACKSHELL (M902-2243), COMPRESSION NUT (M902-2053), CABLE Ø .430-.570 [10.92-14.78]
 C. BACKSHELL (M902-2244), COMPRESSION NUT (M902-2054), CABLE Ø .570-710 [14.78-18.03]
- △5 MATERIAL: PLUG HOUSING/COUPLING RING: PA66 GF10 (BLACK)
 CONDUIT ADAPTER: PA66 GF10 (GREEN, GRAY, BLUE)
 GROMMET: SILICONE (ORANGE-RED)
- △4 SEE 0425-021-0000 APPLICATION SPECIFICATION
 A. RECOMMENDED WIRE INSULATION RANGE
 B. CONTACT REMOVAL TOOLS

TE INTERNAL PN	DEUTSCH PN
HDP26-24-91SE-L015	HDP26-24-91SE-L015

- 3. THIS PLUG MATES WITH HDP24-24-91SX-XXXX RECEPTACLE
 X = SEAL TYPE (N,T,E)
 XXXX = MODIFICATION
- △2 CAVITY 5 IS WITH CONTACT SIZE 16 AND THE GROMMET IS SEALED.
- △1 CONTACTS 4 AND 5 ARE INTERNALLY CONNECTED (BUILT-IN BRIDGE).

NOTES:

THIS DRAWING IS A CONTROLLED DOCUMENT.		DWN 12MAY2012 ALDO MALAGON	TE Connectivity	
DIMENSIONS: INCHES [mm]		CHK 24MAY2012 BRICE BYFORD		
TOLERANCES UNLESS OTHERWISE SPECIFIED: 0 PLC ± 1 PLC ± 2 PLC ± 3 PLC ±.015 [.038] 4 PLC ± ANGLES ±0°30'0"		APVD 23MAY2012 STEVE BEARD	PRODUCT SPEC 0425-021-0000	RESTRICTED TO
MATERIAL △5		FINISH N/A	APPLICATION SPEC △4	SIZE A3
		WEIGHT	4AFU8	CAGE CODE
			©HDP26-24-91SX-L015	DRAWING NO
				SCALE 2:1
				SHEET 1 OF 1
				REV A